

SPECTRO Series

► SPECTRO-3-FIO-ANA-XL

- Big measuring range: typ. 10 mm ... 100 mm (with add-on optics)
- For use with special fiber optics, available in different lengths
- Up to 3 colors (or color groups) can be stored
- RS232 interface (USB or Ethernet adapter available)
- Super-bright white-light LED, diffuse (AC-/DC-operation or OFF for luminous objects can be switched)
- Color detection, contrast detection, and gray scale detection
- Insensitive to outside light (in AC- or PULSE-operation)
- Brightness correction can be activated (STAT/DYN)
- Scan frequency max. 90 kHz (in DC- or OFF-operation)
- Switching frequency typ. 60 kHz
- 3 analog outputs to output color values to PLC
- 2 digital outputs to output taught colors
- TEACH via PC or PLC (external input)
- Various evaluation algorithms can be activated
- "BEST HIT" mode ("human color assessment")
- Parameterizable via Windows® software, scope function
- Temperature compensated
- Averaging can be activated (from 1 up to over 32000 values)
- Color control of luminous objects (LEDs, halogen lamps, displays, ...)
- 3-color filter detector (true color detector: "human color perception")



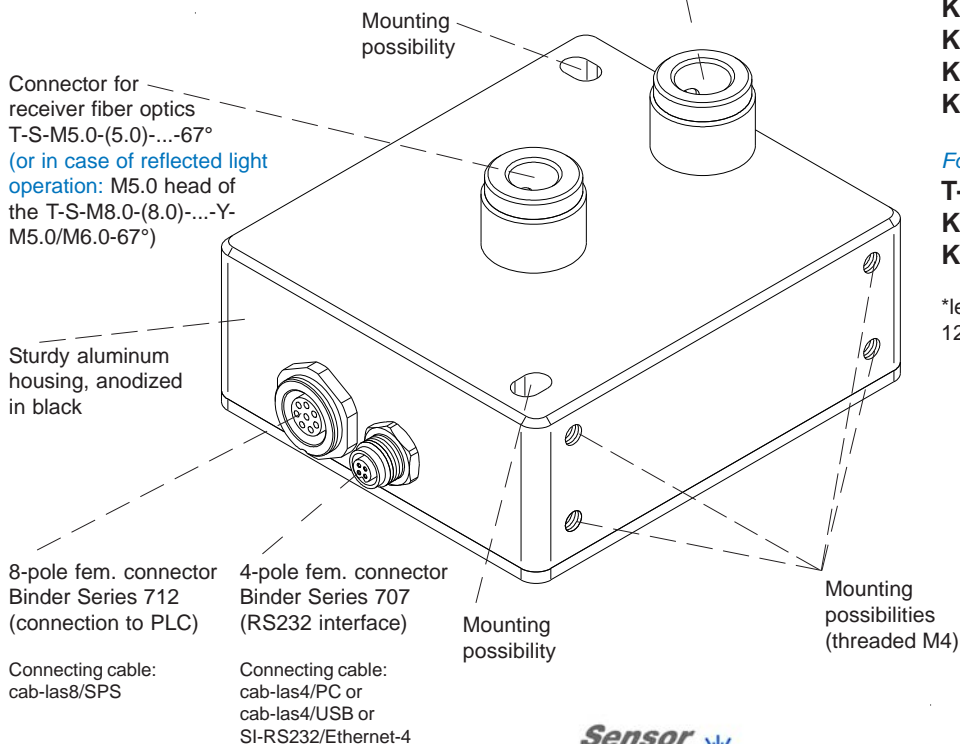
Design

Product name:

SPECTRO-3-FIO-ANA-XL

(incl. Windows® PC software
SPECTRO3-ANA-Scope)

Connector for
transmitter fiber optics
T-S-M6.0-(6.0)-...-67°
(or in case of reflected light
operation: M6.0 head of
the T-S-M8.0-(8.0)-...-Y-
M5.0/M6.0-67°)



Accessories: (cf. p. 8-9)

For transmitted light operation:

T-S-M5.0-(5.0)-(length*)-67° Receiver fiber optics

T-S-M6.0-(6.0)-(length*)-67° Transmitter fiber optics

KL-M34-M5.0 Add-on optics for T-S-M5.0-...

KL-M34-M6.0 Add-on optics for T-S-M6.0-...

KL-M34-XL-M5.0 Add-on optics for T-S-M5.0-...

KL-M34-XL-M6.0 Add-on optics for T-S-M6.0-...

For reflected light operation:

T-S-M8.0-(8.0)-(length*)-Y-M5.0/M6.0-67°

KL-M18-XL-M8.0 Add-on optics for T-S-M8.0-...

KL-M34-XL-M8.0 Add-on optics for T-S-M8.0-...

*length (in mm):

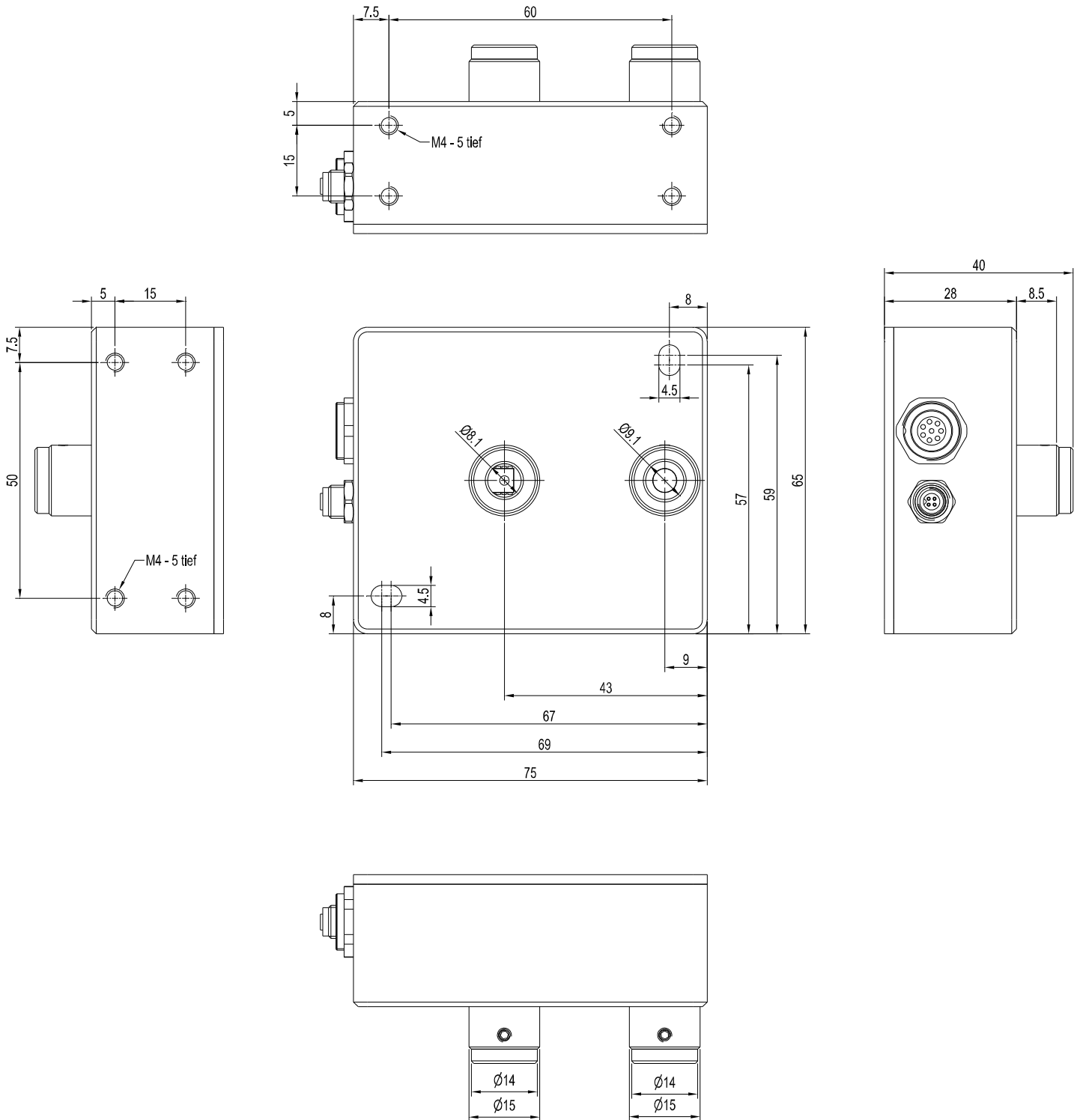
1200, 2000, 3000, 4000, 5000, or 10000



Technical Data

Model	SPECTRO-3-FIO-ANA-XL
Voltage supply	+24VDC (± 10%), reverse polarity protected, overcurrent protected
Current consumption	< 160 mA
Max. switching current	100 mA, short circuit proof
Input digital (1x)	IN0 (Pin 3), digital (0V/+24V)
Outputs digital (2x)	OUT0, OUT1 (Pin 4 and 5): digital (0V/+24V), npn/pnp-able (bright/dark-switching, can be switched)
Outputs analog (3x)	OUT2, OUT3, OUT4 (Pin 6, 7, and 8): voltage output 0 ... +10V (R,G,B or X,Y,INT or s,i,M)
Interface	RS232
Pulse lengthening	0 ... 100 ms, adjustable via PC software
Averaging	max. 32768 values, adjustable via PC software
Scan frequency	LED operation, can be switched via PC software: AC operation: max. 25 kHz, DC and OFF operation: max. 90 kHz (depending on parameterization)
Switching frequency	typ. 60 kHz
Analog band width	max. 90 kHz (-3dB)
Transmitter (light source)	super-bright white-light LED
Transmitter control	can be switched via PC software: AC operation (LED MODE-AC), DC operation (LED MODE-DC), OFF operation (LED MODE-OFF)
Object distance (measuring range)	typ. 10 mm ... 100 mm (when using add-on optics)
Receiver	3-color filter detector (TRUE COLOR detector, "human color perception"), color filter curves acc. to CIE 1931
Receiver gain setting	8 steps (AMP1 ... AMP8), adjustable via PC software
Ambient light	max. 5000 Lux
Size of light spot (fiber optics exit area)	through-beam fiber optics (transmitter) T-S-M6.0-(6.0)-(length)-67°: active Ø =approx. 6.0 mm, exit angle 67° through-beam fiber optics (receiver) T-S-M5.0-(5.0)-(length)-67°: active Ø approx. 5.0 mm, exit angle 67° reflected-light fiber optics T-S-M8.0-(8.0)-(length)-Y-M5.0/M6.0-67°: active Ø approx. 7.8 mm, exit angle 67°
Add-on optics (optionally)	for through-beam fiber optics (transmitter): T-S-M6.0-(6.0)-(length)-67°: KL-M34-M6.0 or KL-M34-XL-M6.0 for through-beam fiber optics (receiver): T-S-M5.0-(5.0)-(length)-67°: KL-M34-M5.0 or KL-M34-XL-M5.0 for reflected-light fiber optics T-S-M8.0-(8.0)-(length)-Y-M5.0/M6.0-67°: KL-M18-XL-M8.0 or ML-M34-XL-M8.0
Length of fiber optics	available lengths: 1200 mm, 2000 mm, 3000 mm, 4000 mm, 5000 mm, 10000 mm
Reproducibility	in the X, Y color range each 1 digit at 12-bit A/D conversion
Temperature drift X,Y	$\Delta X/\Delta T$; $\Delta Y/\Delta T$ typ. 0,2 digits/°C (< 0,01% / °C)
Color difference	$\Delta E \geq 0,5$
Color space	X Y INT siM (Lab)
Color memory capacity	non-volatile EEPROM with parameter sets for max. 3 colors (max. 31 colors in GROUP mode)
Housing dimensions	LxWxH approx. 75 mm x 65 mm x 40 mm (incl. fiber optics adapter M18x1, without flange connectors)
Housing	housing material: aluminum, anodized in black, enclosure rating: IP64
Connecting cables	to PLC: cab-las8/SPS to PC/RS232 interface: cab-las4/PC to PC/USB interface: cab-las4/USB to PC/Ethernet interface: SI-RS232/Ethernet-4
Type of connector	connection to PLC: 8-pole fem. connector (Binder 712), connection to PC: 4-pole fem. connector (Binder 707)
Temperature ranges	operating temperature range: -20°C ... +55°C, storage temperature range: -20°C ... +85°C
EMC test acc. to	DIN EN 60947-5-2

Dimensions



All dimensions in mm

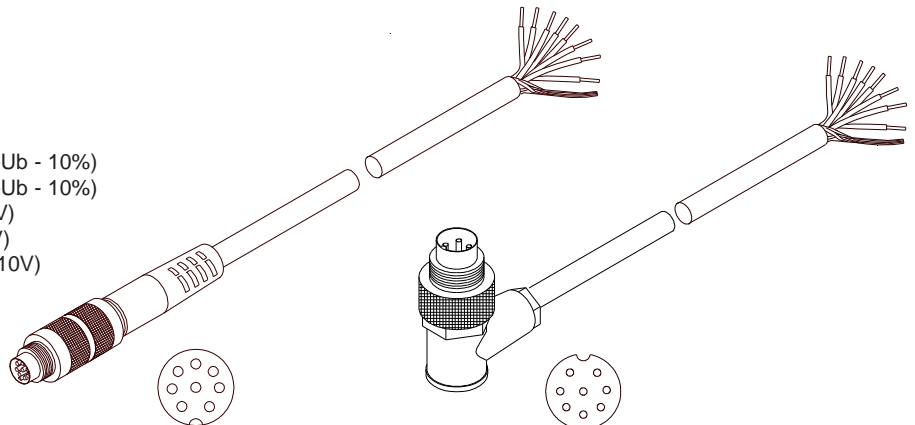


Connector Assignment

**Connection to PLC:
8-pole fem. connector Binder Series 712**

Pin:	Color:	Assignment:
1	white	GND (0V)
2	brown	+24VDC (±10%)
3	green	IN0
4	yellow	OUT0 (Digital 0: 0 ... 1V, Digital 1: +Ub - 10%)
5	grey	OUT1 (Digital 0: 0 ... 1V, Digital 1: +Ub - 10%)
6	pink	OUT2 (Analog R or X or s: 0 ... +10V)
7	blue	OUT3 (Analog G or Y or i: 0 ... +10V)
8	red	OUT4 (Analog B or INT or M: 0 ... +10V)

Connecting cable:
cab-las8/SPS-(length)
cab-las8/SPS-w-(length) (angle type, 90°)
(standard length 2m)



cab-las8/SPS-...
(max. length 25m, outer jacket: PUR)

cab-las8/SPS-w-...
(max. length 25m, outer jacket: PUR)

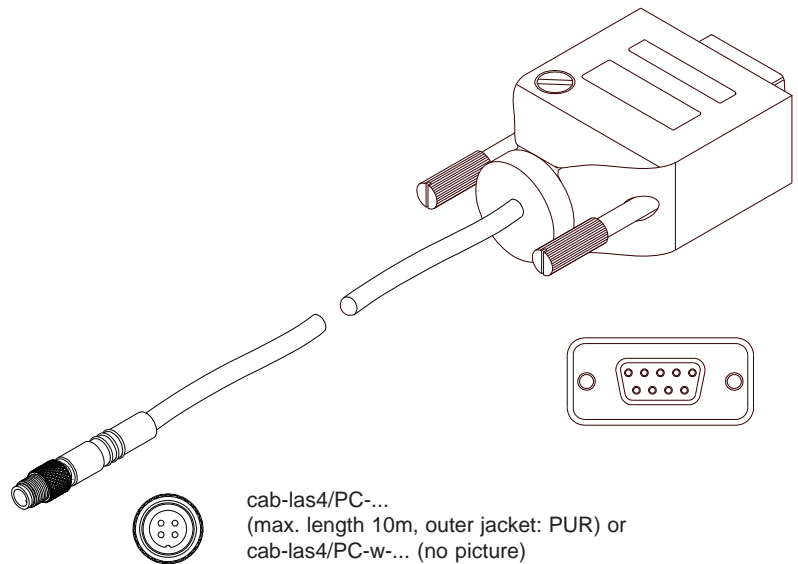
**Connection to PC:
4-pole fem. connector Binder Series 707**

Pin:	Assignment:
1	+24VDC (+Ub, OUT)
2	GND (0V)
3	RxD
4	TxD

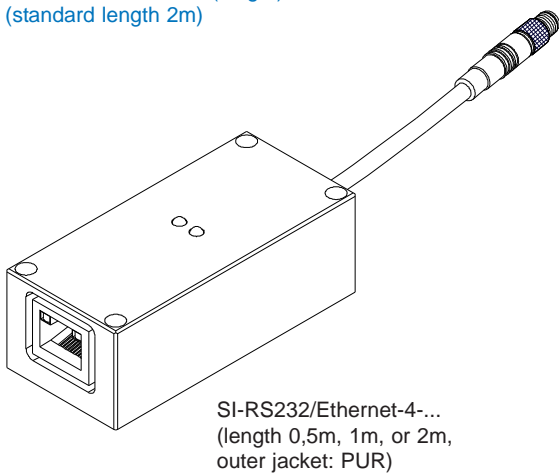
Connection via RS232 interface at the PC:
Connecting cable:
cab-las4/PC-(length)
cab-las4/PC-w-(length) (angle type 90°)
(standard length 2m)

alternative:
Connection via USB interface at the PC:
Connecting cable (incl. driver software):
cab-las4/USB-(length)
cab-las4/USB-w-(length) (angle type 90°)
(standard length 2m)

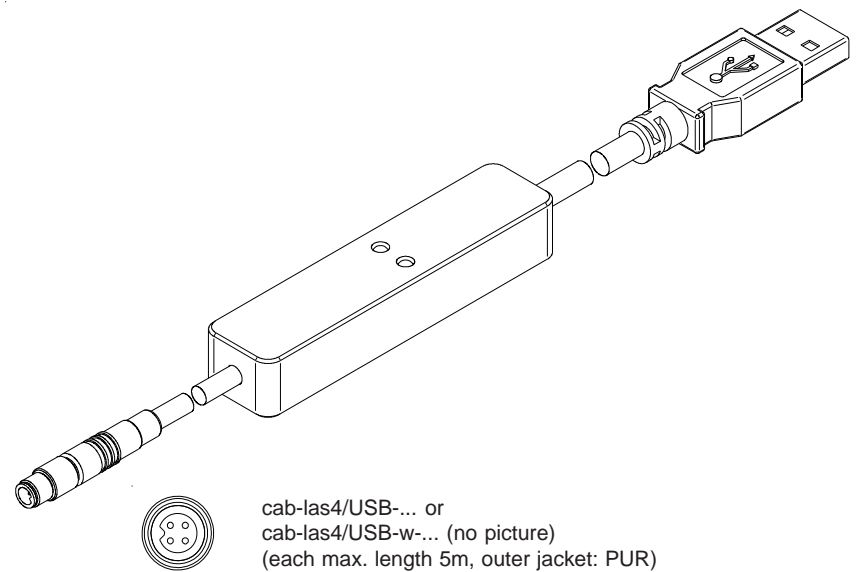
alternative:
Connection to local network via Ethernet bus:
Adapter (based on Lantronix XPortModul):
SI-RS232/Ethernet-4-(length)
(standard length 2m)



cab-las4/PC-...
(max. length 10m, outer jacket: PUR) or
cab-las4/PC-w-... (no picture)
(max. length 5m, outer jacket: PUR)



SI-RS232/Ethernet-4-...
(length 0,5m, 1m, or 2m,
outer jacket: PUR)



cab-las4/USB-... or
cab-las4/USB-w-... (no picture)
(each max. length 5m, outer jacket: PUR)



Measuring principle of color sensors of SPECTRO-3-ANA series:

The SPECTRO-3-ANA provides highly flexible signal acquisition. For example, the sensor can be operated in alternating-light mode (AC mode), which makes the sensor insensitive to extraneous light. It also can be set to constant-light mode (DC mode), which makes the sensor extremely fast. An OFF function turns off the integrated light source at the sensor and changes to DC operation.

The sensor then can detect so-called "self-luminous objects". With the stepless adjustment of the integrated light source as well as the selectable gain of the receiver signal and an INTEGRAL function the sensor can be set to almost any surface or any "self-luminous object".

When the integrated light source of the SPECTRO-3-ANA color sensor is activated, the sensor detects the radiation that is diffusely reflected from the object. As a light source the SPECTRO-3 color sensor uses a white-light LED with adjustable transmitter power. An integrated 3-fold receiver for the red, green, and blue content of the light that is reflected from the object, or the light that is emitted by a "self-luminous object", is used as a receiver.

The SPECTRO-3-ANA color sensor can be "taught" up to 3 colors. For each of these taught colors it is possible to set tolerances. In "X Y INT - 2D" or "s i M - 2D" mode these tolerances form a color cylinder in space. In "X Y INT - 3D" or "s i M - 3D" mode the tolerances form a color sphere in space. Color evaluation according to "s i M - 2D" is based on the lab calculation method. All modes can be used in combination with several operating modes such as "FIRST HIT" and "BEST HIT". Raw data are represented with 12 bit resolution.

As a special feature the sensor can be taught two completely independent parameter sets. Input IN0 can then be used to tell the sensor which parameter set it should work with.

Color detection either operates continuously or is started through an external PLC trigger signal. The respective detected color either is provided as a binary code at the 2 digital outputs or can be sent directly to the outputs, if only up to 2 colors are to be detected.

In addition to the 2 digital outputs there also are 3 analog outputs that either provide the red, green, and blue components or the calculated color coordinates (X, Y, INT oder s, i, M) in values of 0-10V.

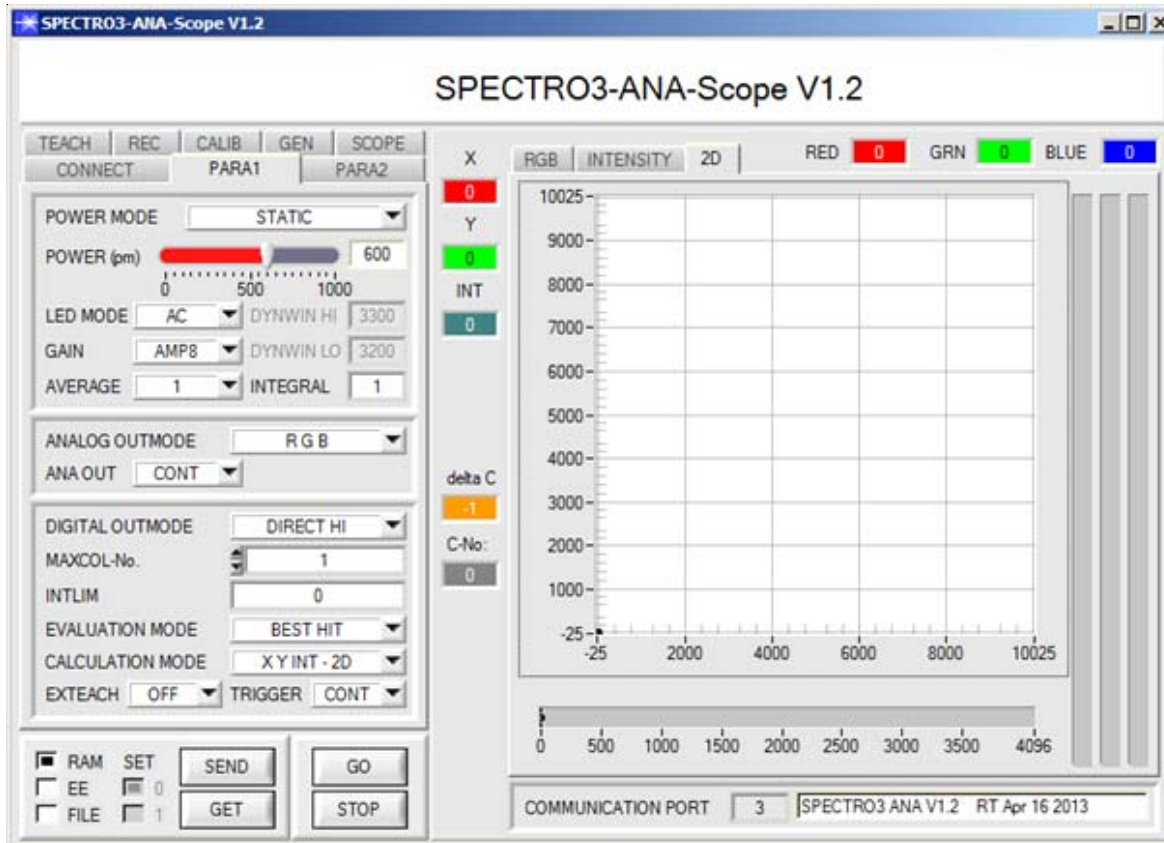
Through input IN0 (green wire of the cab-las8/SPS cable) the color sensor can be taught up to 3 colors (31 in group mode). For this purpose the corresponding evaluation mode must be set with the software.

Parameters and measurement values can be exchanged between a PC and the SPECTRO-3 color sensor through the serial RS232 interface. All the parameters for color detection also can be saved to the non-volatile EEPROM of the SPECTRO-3 color sensor through this serial RS232 interface. When parameterisation is finished, the color sensor continues to operate with the current parameters in STAND-ALONE mode without a PC.

The sensors of the SPECTRO-3 series can be calibrated (white-light balancing). Balancing can be performed to any white surface. A ColorChecker™ table with 24 color fields is available as an alternative. White-light balancing or calibration can be performed to one of the white fields.


 Parameterization
Windows® user interface:

The color sensor is parameterized under Windows® with the SPECTRO3-ANA-Scope software. The Windows® user interface facilitates the teach-in process at the color sensor and supports the operator in the task of adjustment and commissioning of the color sensor.



Under Windows® representation of the color value on a PC in numeric form and in a color chart, and representation of RGB values in a time chart. In addition the current RGB values are displayed as a bar chart.

The RS232 interface (tab PARA1 or PARA2) is used for setting parameters such as:

- POWER MODE: Light power of the LED
- LED MODE: Triggering of the internal light source
- GAIN: Used for setting the gain of the receiver
- AVERAGE: Averaging over a maximum of 32768 values. This function field is used for adjusting the number of scanning values (measurement values) over which the raw signal measured at the receiver is averaged. A higher AVERAGE default value reduces noise of the raw signals at the receiver unit and there will be a decrease of the maximal available switching frequency of the sensor
- INTEGRAL: This function field is used to set the number of scan values (measurement values) over which the raw signal measured at the receiver is summed up. This integral function allows the reliable detection even of extremely weak signals
- ANA LOG OUTMODE: Function to determine the signals that the sensor provides at its analog outputs (OUT2, OUT3, OUT4) (R G B, X Y INT, s i M, RGB MM, or siM REF)
- DIGITAL OUTMODE: Control of the 2 digital outputs (OUT0, OUT1)
- MAXCOL-No.: Number of colors to be checked
- INTLIM: Minimum intensity required for color evaluation
- EVALUATION MODE: Various evaluation modes to choose from (FIRST HIT, BEST HIT, MIN DIST, COL2, THD Red Green, THD Red Blu, or THD Green Blue)
- CALCULATION MODE: There are 2 methods of teaching a color: "X Y INT - 3D" (or "s i M - 3D") uses a color sphere in space with radius TOL. Contrary to this, "X Y INT - 2D" (or "s i M - 2D") uses a color cylinder in space with radius CTO or siTO and with height ITO or M.
- EXTEACH: In all the evaluation modes teaching of a color can be performed externally through IN0.
- TRIGGER: Continuous or external or self trigger.



Firmware Update

Firmware update by means of the software „FirmwareLoader“:



The software „Firmware Loader“ allows the user to perform an automatic firmware update. The update will be carried out through the RS232 interface.

An initialisation file (xxx.ini) and a firmware file (xxx.elf.S) are required for performing a firmware update. These files can be obtained from your supplier. In some cases an additional firmware file for the program memory (xxx.elf.p.S) is also needed, and this file will be automatically provided together with the other two files.



Fiber optics for transmitted light operation:

Receiver fiber optics (please order separately)

T-S-M5.0-(5.0)-1200-67°

T-S-M5.0-(5.0)-2000-67°

T-S-M5.0-(5.0)-3000-67°

T-S-M5.0-(5.0)-4000-67°

T-S-M5.0-(5.0)-5000-67°

T-S-M5.0-(5.0)-10000-67°

T = Transmitted light operation

S = Silicone metal sheath

M5.0-(5.0) = Sensor head type M5.0 with fiber bundle Ø 5 mm (on both sides)

1200 / 2000 / 3000 / 4000 / 5000 / 10000 = Total length of fiber optics in mm

67° = Beam opening angle



Transmitter fiber optics (please order separately)

T-S-M6.0-(6.0)-1200-67°

T-S-M6.0-(6.0)-2000-67°

T-S-M6.0-(6.0)-3000-67°

T-S-M6.0-(6.0)-4000-67°

T-S-M6.0-(6.0)-5000-67°

T-S-M6.0-(6.0)-10000-67°

T = Transmitted light operation

S = Silicone metal sheath

M6.0-(6.0) = Sensor head type M6.0 with fiber bundle Ø 6 mm (on both sides)

1200 / 2000 / 3000 / 4000 / 5000 / 10000 = Total length of fiber optics in mm

67° = Beam opening angle



Add-on optics for receiver fiber optics or transmitter fiber optics:

KL-M34-M5.0 (please order separately)

to be mounted at receiver fiber optics T-S-M5.0-(5.0)-...-67°

KL-M34-M6.0 (please order separately)

to be mounted at transmitter fiber optics T-S-M6.0-(6.0)-...-67°



KL-M34-XL-M5.0 (please order separately)

to be mounted at receiver fiber optics T-S-M5.0-(5.0)-...-67°

KL-M34-XL-M6.0 (please order separately)

to be mounted at transmitter fiber optics T-S-M6.0-(6.0)-...-67°





Fiber optics for reflected light operation:

Reflected light fiber optics in Y-shape (please order separately)

T-S-M8.0-(8.0)-1200-Y-M5.0/M6.0-67°

T-S-M8.0-(8.0)-2000-Y-M5.0/M6.0-67°

T-S-M8.0-(8.0)-3000-Y-M5.0/M6.0-67°

T-S-M8.0-(8.0)-4000-Y-M5.0/M6.0-67°

T-S-M8.0-(8.0)-5000-Y-M5.0/M6.0-67°

T-S-M8.0-(8.0)-10000-Y-M5.0/M6.0-67°

T = Transmission operation

S = Silicone metal sheath

M8.0-(8.0) = Sensor head type M8.0 with fiber bundle Ø approx. 7.8 mm

1200 / 2000 / 3000 / 4000 / 5000 / 10000 = Total length of fiber optics in mm

Y = Y version

M5.0-(5.0) = Sensor head type M5.0 (connection at receiver side)

M6.0-(6.0) = Sensor head type M6.0 (connection at receiver side)

67° = Beam opening angle



Add-on optics for reflected light fiber optics:

KL-M18-XL-M8.0 (please order separately)

to be mounted at the M8.0 section of fiber optics T-S-M8.0-(8.0)-...-Y-M5.0/M6.0-67°



KL-M34-XL-M8.0 (please order separately)

to be mounted at the M8.0 section of fiber optics T-S-M8.0-(8.0)-...-Y-M5.0/M6.0-67°

