



FL series

“T-style” housing photoelectric sensors with M18 optical head for car washes



“T-style” housing photoelectric sensors with M18 optical head for car washes

features

- Sensors for car washes
- IP protection degree: head IP69K (sensor IP67)
- Wide angular range for an easy alignment
- Totally fulfilled resin
- Two versions: high and standard distance
- Synchronization through cable
- Coded emission: anti mutual-interference



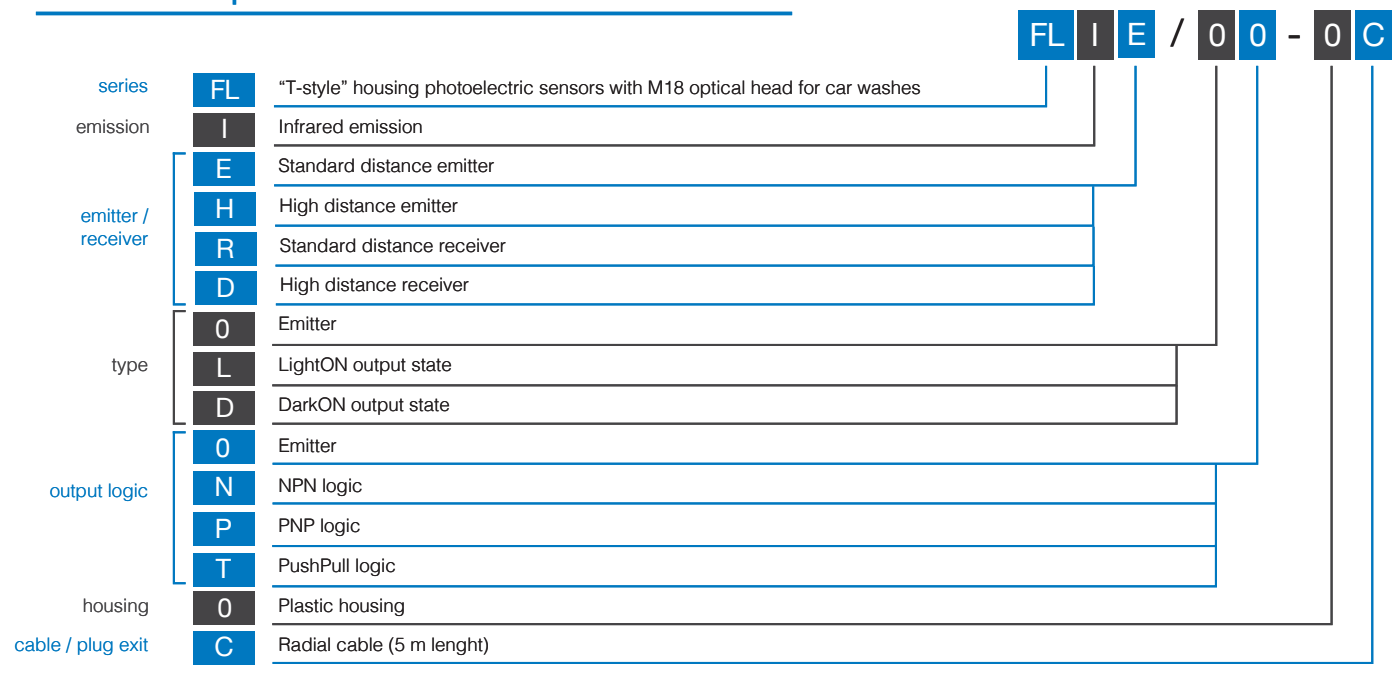
web contents



- Application notes
- Photos
- Catalogue / Manuals



code description



available models

range	output	emitter	receiver					
			NPN D _{on}	NPN L _{on}	PNP D _{on}	PNP L _{on}	Pushpull D _{on}	Pushpull L _{on}
8 m	cable	FLIE/00-0C	FLIR/DN-0C	FLIR/LN-0C	FLIR/DP-0C	FLIR/LP-0C	FLIR/DT-0C	FLIR/LT-0C
30 m	cable	FLIH/00-0C	FLID/DN-0C	FLID/LN-0C	FLID/DP-0C	FLID/LP-0C	FLID/DT-0C	FLID/LT-0C

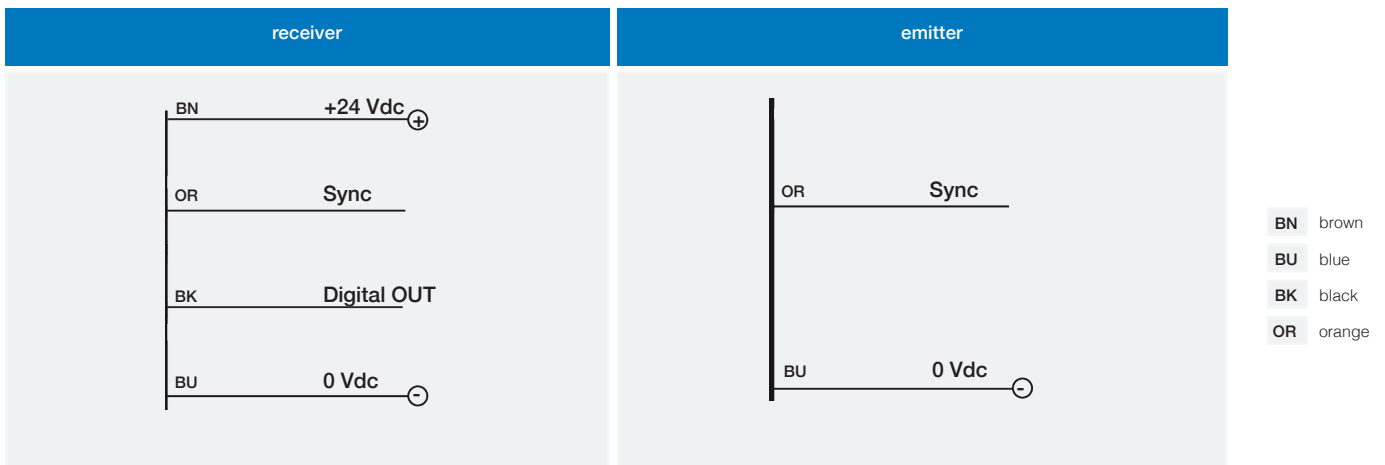


technical specification

“T-style” housing photoelectric sensors with M18 optical head for car washes

	Standard distance		High distance	
	FLIE	FLIR	FLIH	FLID
nominal sensing distance (m)	8 (3 m for car washes)		30 (3 m for car washes)	
operating distance	24 Vdc +/- 20%			
response time	-	<10 ms	-	<12 ms
histeresys	-	+/- 1%	-	+/- 1%
output type	-	NPN or PNP or Push Pull/Lon or Don	-	NPN or PNP or Push Pull/Lon or Don
digital resolution	-	12 bit	-	12 bit
emission	Infrared (850 nm)	-	Infrared (850 nm)	-
no load supply current	< 60 mA			
load current	-	< 30 mA	-	< 30 mA
operative temperature range	-20..70°C (without freeze)			
storage temperature range	-30..90°C (without freeze)			
protection degree	IP67 (front-head IP69K)			
EMC	in coformity with the EMC Directive according to EN 60947-5-2			
housing material	PBT + PC			
optic material	PC			
Leds	Green: RUN; Red: problem with output, Yellow: output			
electrical protections	polarity reversal transient			
output protection	short circuit protection			
connections	cable PVC diam. 6.2 mm			
tightening torque	1 Nm			
weight	570 g (the pair)			

electrical diagram of the connections

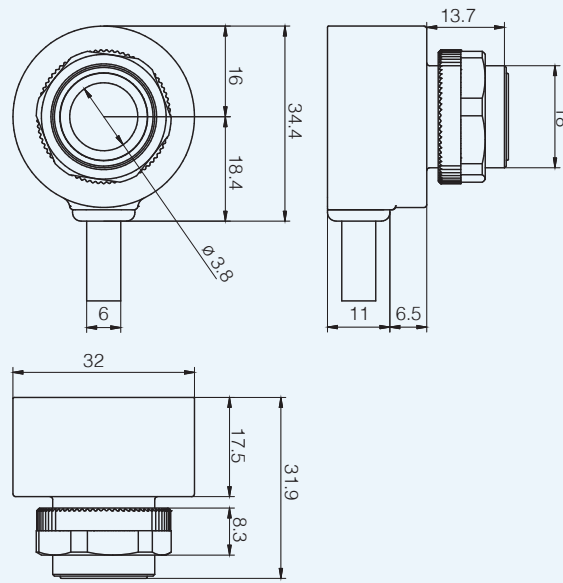


dimensions (mm)



“T-style” housing photoelectric sensors with M18 optical head for car washes

FL**



response diagram

standard distance

response diagram

high distance

FLIE spot dimension FLIH spot dimension

