



FC5 series

Photoelectric fork for objects detection without regulation



features

- Plug and Play without adjustment
- High power RED LED emission
- Minimum size object detection 0,8 mm
- Metal housing
- Connettore M8 a 3 pins
- LED Indicator high visibility
- Switching frequency 4 KHz
- -10...+60 °C operating temperature range
- 3 wires: PNP or NPN, LO or DO



web contents

- Application notes
- Photos
- Catalogue / Manuals



fork for objects detection without regulation

code description

FC5 R / D P - 05 06 - 1 F

series	FC5	Fork detection for objects
emission	R	LED red emission
light / dark	D	Dark ON
	L	Light ON
PNP / NPN output	P	PNP digital output
	N	NPN digital output
width slit detection	03	Width slit detection 30 mm
	05	Width slit detection 50 mm
	08	Width slit detection 80 mm
	12	Width slit detection 120 m
	18	Width slit detection 180 mm
depth slit detection	03	Depth slit detection 30 mm
	06	Depth slit detection 60 mm
	12	Depth slit detection 124 mm
housing	1	Metal housing - aluminium
plug	F	Plug M8 3 pin


available models

supply	installation	width (mm)	depth (mm)	LO		DO	
				NPN	PNP	NPN	PNP
12...24 Vdc	M8 3 pins	30	30	FC5R/LN-0303-1F	FC5R/LP-0303-1F	FC5R/DN-0303-1F	FC5R/DP-0303-1F
		50	60	FC5R/LN-0506-1F	FC5R/LP-0506-1F	FC5R/DN-0506-1F	FC5R/DP-0506-1F
		80		FC5R/LN-0806-1F	FC5R/LP-0806-1F	FC5R/DN-0806-1F	FC5R/DP-0806-1F
		120		FC5R/LN-1212-1F	FC5R/LP-1212-1F	FC5R/DN-1212-1F	FC5R/DP-1212-1F
		180	124	FC5R/LN-1812-1F	FC5R/LP-1812-1F	FC5R/DN-1812-1F	FC5R/DP-1812-1F

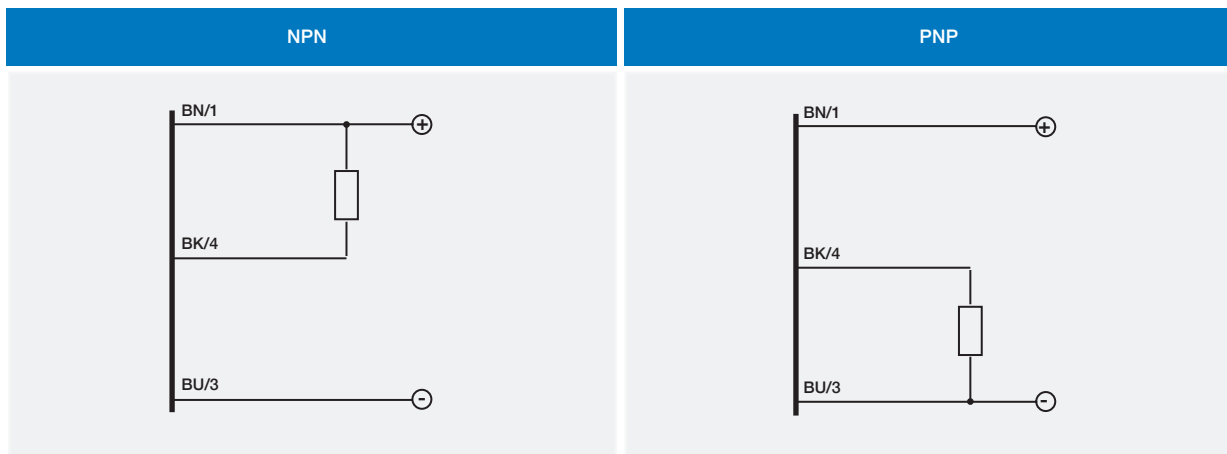
FC5



fork for objects detection
without regulation

	FC5R/**_**_**	FC5R/**-18*_**
		
nominal sensing distance	30...120 mm	30...180 mm
minimum detectable object	0.8 mm	1.2 m
emission	red LED, modulation of light	
external lighth interference	10,000 lux (5,000 lux incandescent lamp)	
operating voltage	12 ... 24 Vdc (with protection against reverse polarity)	
max ripple content	10%	
no-load supply current	≤ 20 mA	
load current	100 mA	
output voltage drop	≤ 1.5 V @ IL = 100 mA	
switching frequency	4,000 Hz	
power supply protections	inverse-polarity protected short-circuit output protected interference suppression.	
temperature range	- 10 ... + 60 °C	
storage temperature	- 40 ... + 80 °C	
protection degree	IP67 (EN60529)	
power on delay	150 ms max	
housing material	painted aluminium and polyamide/glass	
plug	M8 3 pin	
weight (approximate)	60 ...250 g	

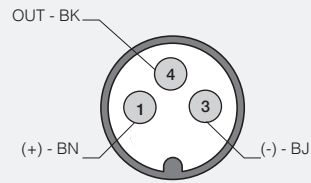
electrical diagrams of the connections



- BN** brown
- BU** blue
- BK** black
- WH** white
- PK** pink
- GY** gray

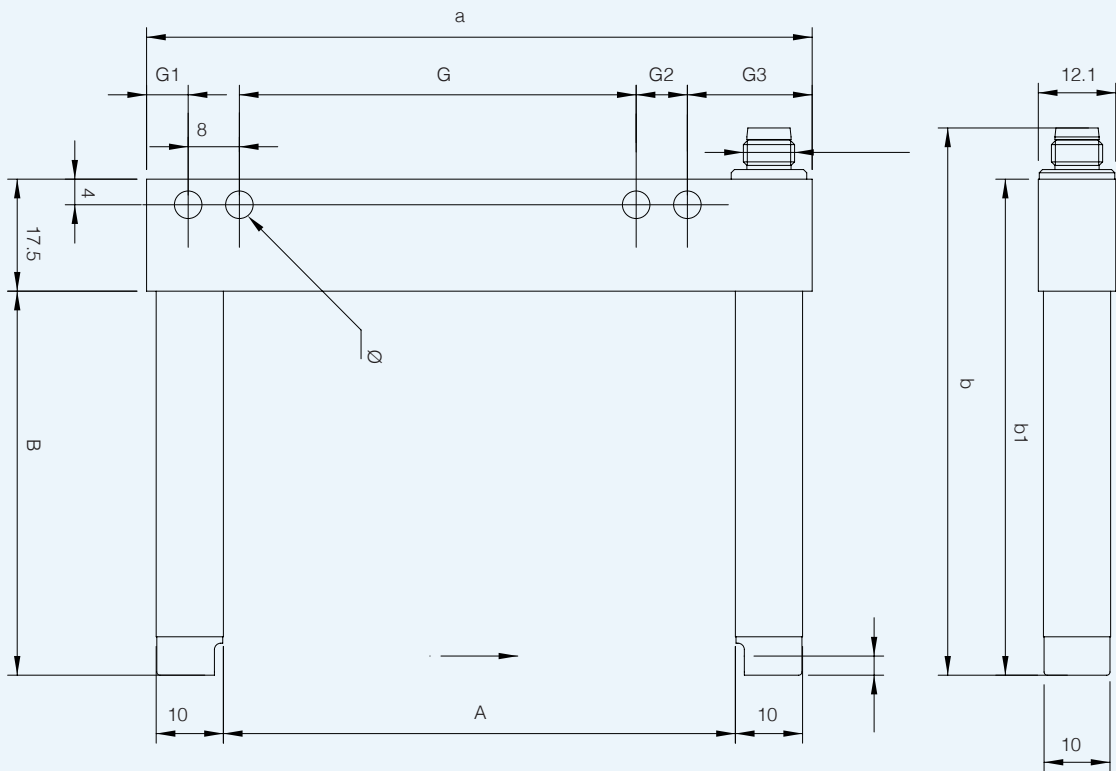


M8 FC5R/**_**_**



dimensions (mm)

FC5R/**_**_**



models	A (width slit detection)	B (depth slit detection)	a	b	b1	G	G1	G2	G3	Ø
FC5R/**-0303-1F	30	30	54	65.7	57.5	30	17	-	-	4 x 4.3
FC5R/**-0506-1F	50	60	74	85.7	77.5	40	6.5	19.5	8 x 19.5	4 x 4.3
FC5R/**-0806-1F	80	60	104	85.7	77.5	70	6.5	19.5	8 x 19.5	4 x 4.3
FC5R/**-1212-1F	120	124.3	144	150.2	142	100	17	17	8 x 17	4 x 4.3
FC5R/**-1812-1F	180	124.3	144	150.2	142	152	22	8	22	4 x 4.3