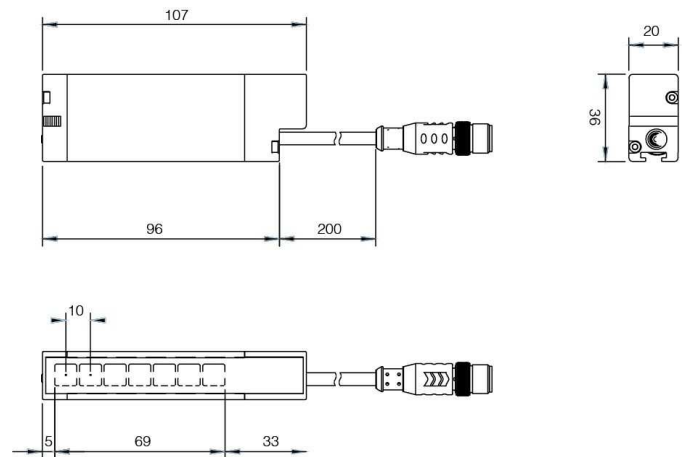


CR0/BP-1VJA (special version dynamic/static, delay)

polarized retroreflective



Indicative image



Thermal drift of Sr	≤10%
Beams space	10mm
controlled height	69mm
minimum detectable object	∅ 3-6mm @ 2m - ∅ 3-10mm @ 4,5m RL106G (static) ∅ 1...3mm @ 2m - ∅ 3...4mm @ 4,5m RL106G (Dynamic)
number of rays	6
Sensitivity adjustment	Teach in: fine < 3s; standard > 6s

Application

Function Principle

Retroreflective polarized area sensor

Outputs

Output type	PNP
Output Function	NO+NC
Switching frequency	400Hz

Electrical data

Operating Voltage	12 - 30Vdc
No-Load supply current	100mA
Load current	100mA

Leakage current	≤100μA
Output voltage drop	3Vdc @ 100mA
Max ripple content	≤ 10%
LED indicators	green: power supply-alignment; red: dark/light status
Time delay before availability	300ms
Short-circuit protection	Yes (autoreset)
Reverse Polarity Protection	Yes
Emission	Red
Interference to external light	5000lux (fluorescent lamp); 50000lux (sun light)
Impulsive Overvoltage Protection	Yes

Mechanical data

Dimensions	107mm x 20mm x 36mm
Weight	100g
Housing Material	Aluminum
Connections	M12 pigtail
Active Head Material	PMMA
Operating temperature	-10°C...+ 55° C (without freeze)

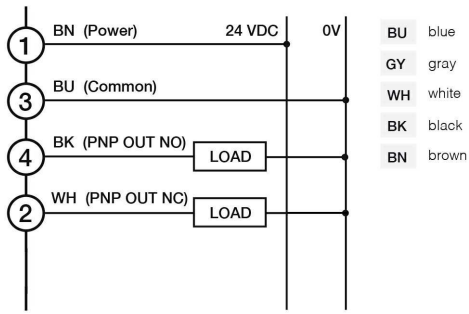
Test/Approvals

Approvals	CE, cULus
EMC compatibility	EN 60947-5-2
Shocks and vibrations	IEC EN 60947-5-2 / 7.4
Degree of protection	IP67

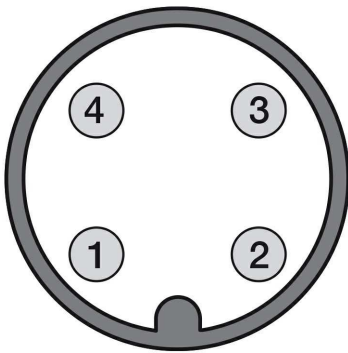
Accessories

Supplied Accessories	RL106G reflector + fixing kit (ST151)
----------------------	---------------------------------------

ELECTRICAL DIAGRAMS OF THE CONNECTIONS



CONNECTOR



M.D.Micro Detectors S.p.A.

Strada S.Caterina, 235
41122 Modena (MO)

Tel. 059 420411

Fax 059 253973

E-mail info@microdetectors.com

date of printing

25/05/2020 10:39:52