

DATALOGIC™

DATALOGIC AUTOMATION

DATALOGIC™

DATALOGIC AUTOMATION

- **Imagers & Vision Sensors**
- **Industrial Bar Code Scanners**
- **Embedded Bar Code Readers**
- **Industrial Sensors**
- **Measurement Devices**
- **Safety Devices**
- **RFID**
- **Laser Marking**
- **Controllers & Connectivity**

The Datalogic Automation range has been developed and manufactured according to the requirements of the Factory Automation particularly in the following industries: **Packaging Machinery & Machinery, Automotive, Electronics & Solar, Transportation & Logistics.**



Advanced Imaging Technology Solutions for the Tire Industry

ENGLISH EDITION
Rev. 00

Datalogic Automation introduces its revolutionary imaging technology solution for the tire Industry: MAS 400 (Matrix Camera System).

Reading performances under any conditions

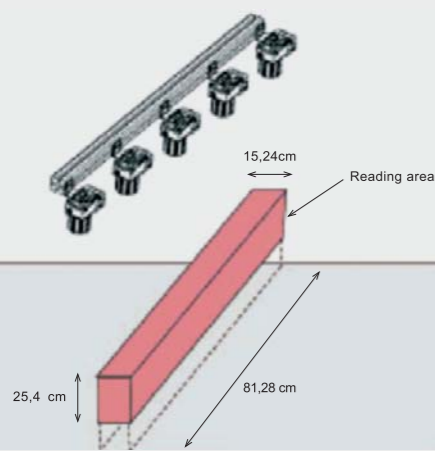
Don't lose sight of your tires. Reading radial barcode labels in an overall omni-directional situation is vital during the vulcanization process as the code can get dirty, partially covered, or distorted. Ensuring an extremely high read rate is a must in any of these conditions. The traditional reading systems based on laser technology have permitted good reading performances but come with high implementation costs, sophisticated configuration procedures and low flexibility. MAS can ensure reading performances on any kind of tire and in any situation with **read rate up to 99.9%** thanks to the new Matrix 400™.

Scalability

It has never been so easy to adapt your barcode reading system to your conveyor depending on the tire diameter and your production line. MAS can cover the necessary **conveyor width (from 400mm to 1200mm)** thanks to the ease of adding or removing readers.

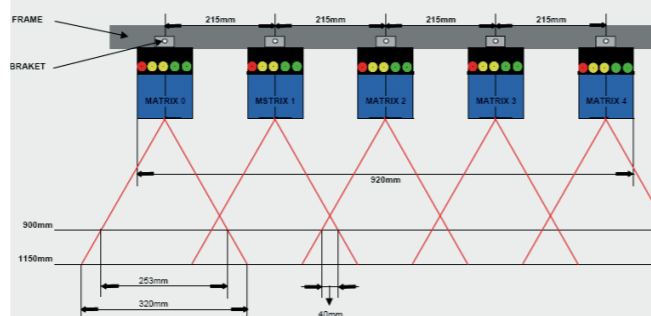
Flexibility

Whether you read from the top or the bottom, or use a hook chain, the MAS 400 solution can provide the necessary read rate and flexibility to change your configuration **no matter the type of conveyor you utilize or the width of the tire**. MAS 400 can be used with very little personalization and with any type of handling system. This provides maximum flexibility of use and a strong return on investment. If a change to your tire handling system is necessary, MAS is the only reading system that can fit your project with little or no changes.

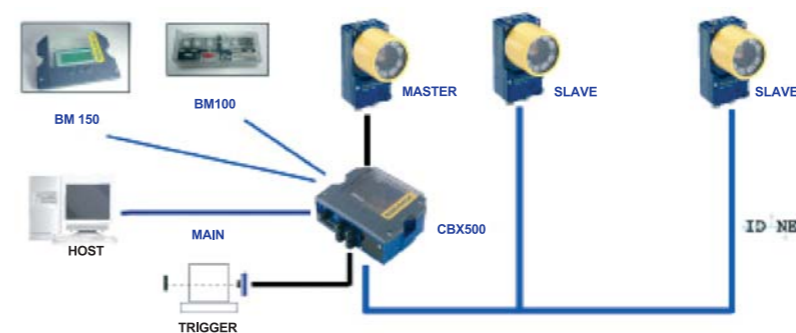


Redundancy

Loss of data in the production plant due to a reader failure, can incur huge costs. MAS keeps working, ensuring very **high barcode reading rates even if one of the reading heads composing the array stops working**. MAS is based on an array of Matrix 400™, the most powerful Datalogic Automation imager with no moving parts, ensuring quality and durability. Downtime is dramatically reduced, thus confirming the MAS solution as a safe and smart investment.



FEATURES AND FUNCTIONALITIES



Data Collection

The readers are connected through **ID-NET™** in **Master-Slave configuration** allowing you to collect and filter data through the master device at very high speed (1.0 Mbps). Additional code information (length, orientation, position...) can also be sent through ID-NET™ to the Master device.

Data Transmission

Standard connectivity (**RS232/RS485 or Ethernet**) allows data transmission to the host. Availability of extended Fieldbus connectivity (Profibus, DeviceNet, Profinet, Can Open...) is also possible through the modular CBX500 connection box.

Ease of Mounting

Different from previous laser solutions, **all readers can be mounted in line** on the same cradle, with the same orientation, the same distance between two adjacent readers and the same distance from the conveyor without the need of complex mechanical layouts.

Ease of Replacement

Replacing a Matrix 400™ in the tire array is easy thanks to the BM100 backup module and feedback provided on the BM150 display. PCs and specialized tools are not needed.



The system is composed of:

An array of **Matrix 400 600-0X0** (UXGA 1600x1200 pixels) Matrix 400™ is the most powerful 1D and 2D code reader on the market today. **Modular Connection Box (CBX500)** enables the system to manage wiring quickly and easily. By adding the **Display Module (BM150)** and the **Backup Module (BM100)** the monitoring of the system and quick reader replacement in case of failure is ensured.



Diagnostics and System Monitoring

Local Diagnostics

Complete information and diagnostics are available through BM150 display module mounted onto the CBX500 modular connection box:

- Last Code Read
- Reading Statistics
- Network Status
- Device Failure Messages

Remote Diagnostics

Remote control of the entire network through dedicated supervision software (**Datalogic WebSentinel™**) and built-in Ethernet board.