



UH series

Cubic through beam ultrasonic sensors



Cubic through beam

features

- Total protection against any type of electric damages
- Plastic housing
- IP67 protection degree
- Approvals: CE



web contents

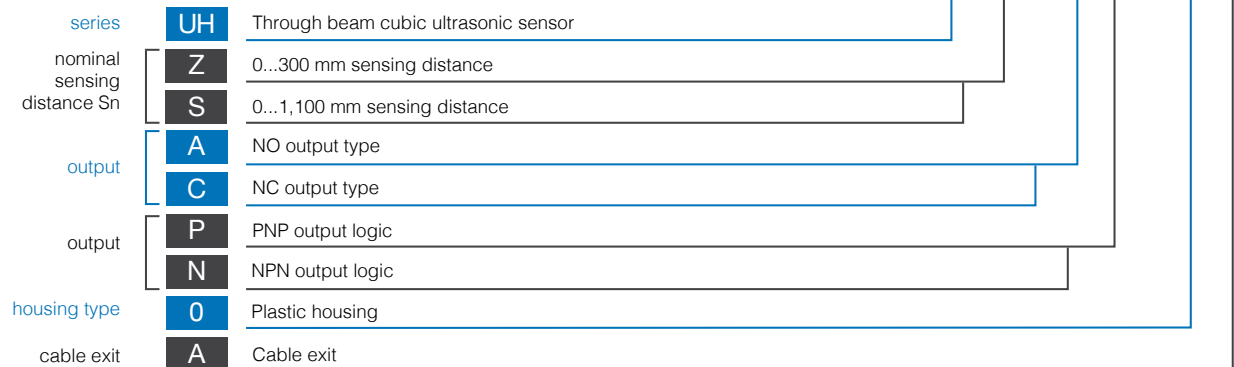


- Application notes
- Photos
- Catalogue / Manuals



code description

UH Z / A P - 0 A





available models

dimension	distance (mm)	output	NO - PNP	NO - NPN	NC - PNP	NC - NPN
20 x 30 x 15 mm	0...300 mm	cavo	UHZ/AP-0A	UHZ/AN-0A	UHZ/CP-0A	UHZ/CN-0A
24 x 50 x 15 mm	0...1,100 mm		UHS/AP-0A	UHS/AN-0A	UHS/CP-0A	UHS/CN-0A



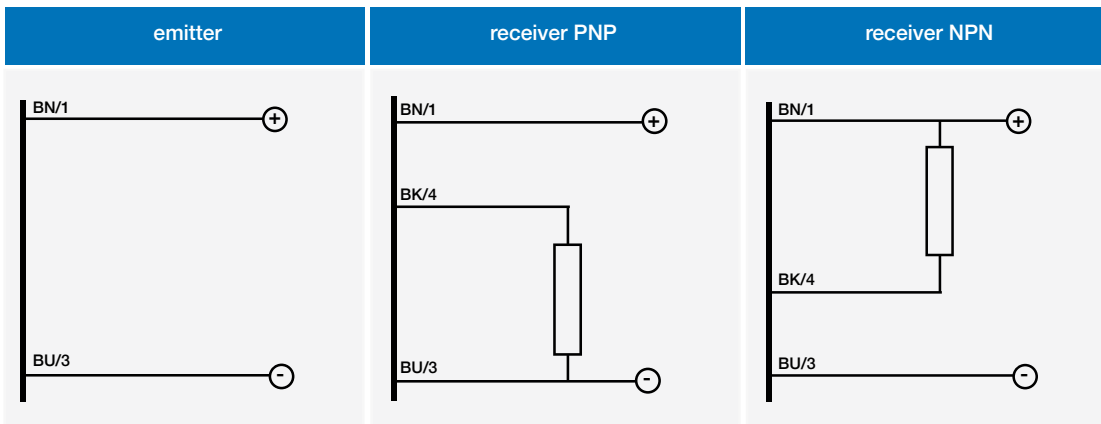
technical specifications

Cubic through beam

	UHZ/**- 0A	UHS/**- 0A
		
maximum sensing distance	300 mm	1,100 mm
minimum sensing distance	0 mm	
sensing range (Sd)	250...3,500 mm	350...6,000 mm
beam angle	± 8° ± 9°	
switching frequency (digital output)	500 Hz	
response time (digital output)	1 ms 500 ms	
emission frequency	300 kHz	180 kHz
repeatability	-	
linearity error	-	
temperature range	- 15°C...+ 60°C	
temperature compensation	- 25°C...+ 75° C	
operating voltage	●	
temperature drift	-	
ripple	<10 %	
leakage current	< 10 µA	
output voltage drop	-	
no-load supply current	< 40 mA	
output current	PNP o NPN - NO o NC	
minimum load resistance	< 2.5 V	
maximus load resistance	500 mA	
set point adjustment	-	
power on delay	<200 ms	
power supply protections	polarity reversal, overvoltage pulses	
digital output protections	short circuit autoreset	
LEDs	yellow (output activated)	
EMC	conforming to EMC Directive, according to EN 60947-5-2	
protection degree	IP67 (EN60529)	
housing material	PBT	
active head material	ceramics	
tightening torque	-	
weight	150 g	100 g
storage temperature	-	

Specifications are guaranteed only using emitter and receiver with the same serial number. Attention: do not expose sensor head to hot water (> 50°C) or water steam.

electrical diagrams of connections

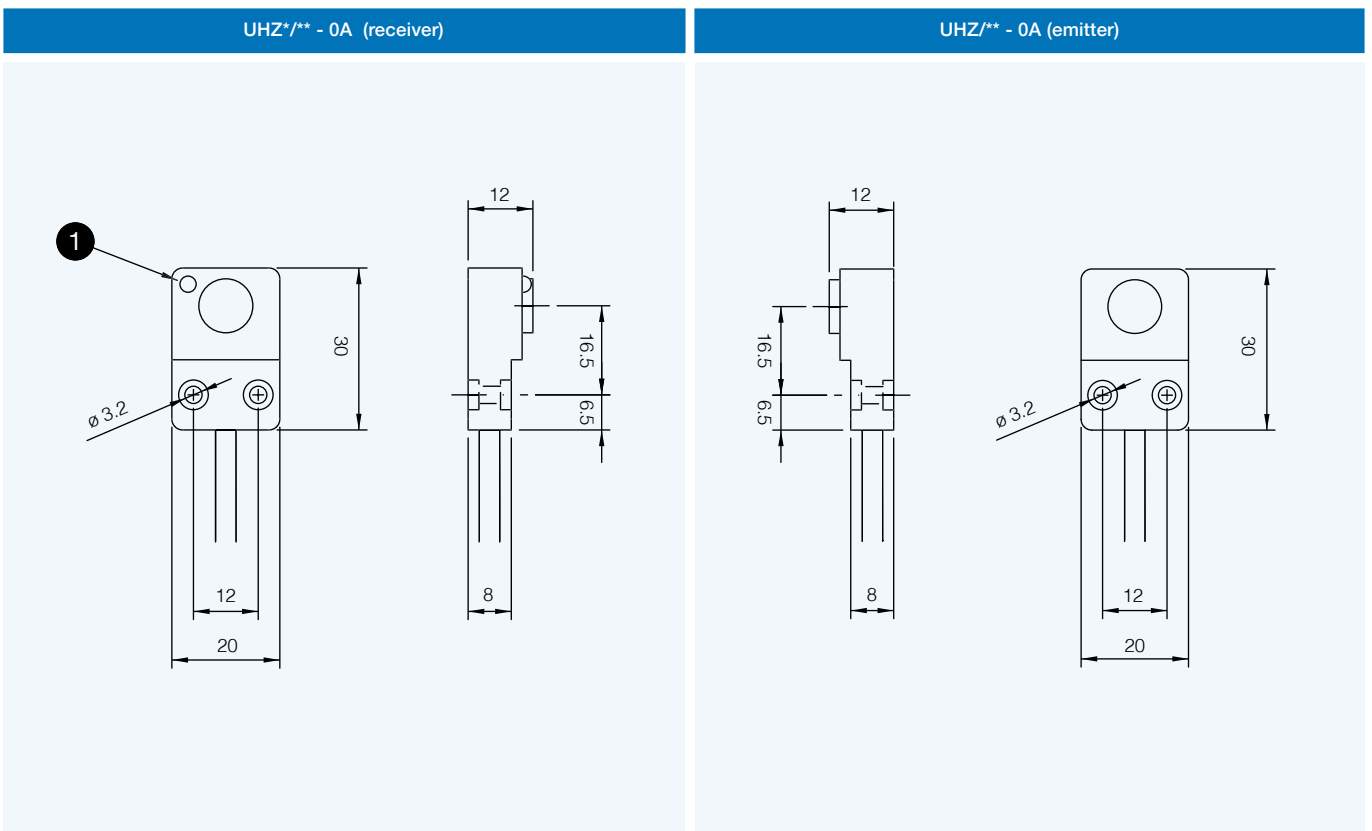


- BN brown
- BU blu
- BK black
- WH white



Cubic through beam

dimensions (mm)



1 LED

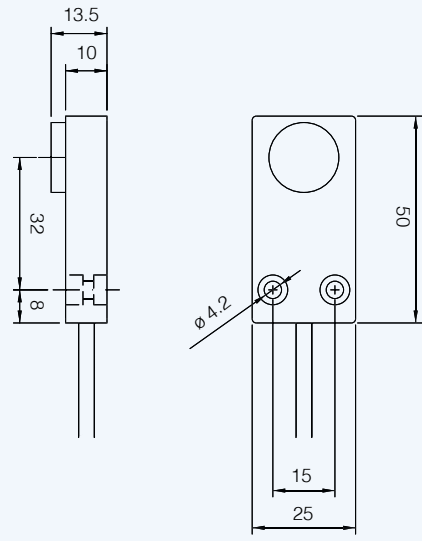
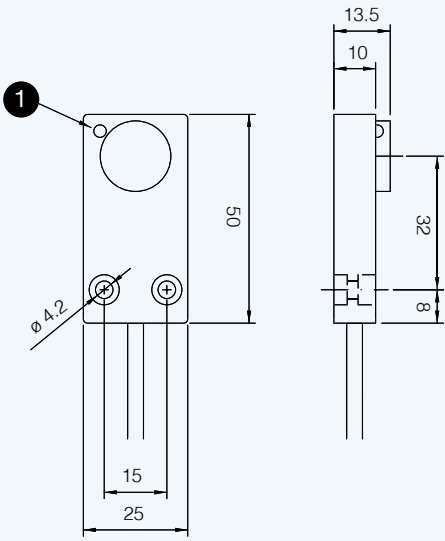


dimensions (mm)

Cubic through beam

UHS*/** - 0A (receiver)

UHS*/** - 0A (emitter)



1 LED