



SERIAL GATEWAY

GWY-01-232-01

FEATURES & BENEFITS

RS232 connectivity for application in many enterprises.

Subnet16™ reduces the number of host connections to the RFID read/write points for easier installation and maintenance.

Status LED's provide instant visual indication of device operations.

C-Macro command software provides powerful tools for integration with host applications.

Node configuration is stored in memory on the Gateway, allowing plug and play replacement of the RFID devices.

Rugged metal enclosure for harsh industrial installations.

Operates with the EMS Dashboard software for complete command and visibility of individual RFID read/write stations.



The EMS Gateway supports Subnet 16™, a subnetwork of up to sixteen EMS RFID controller/antenna stations. Subnet16 thus concentrates many read/write devices into one convenient connection point for host networks in the factory or enterprise.

RS232 communications from the Gateway allows the EMS controllers to connect with almost any host PC, PLC or similar device.

25+ years of experience with RFID systems for manufacturing are behind every EMS system, supported by Datalogic around the world.

SPECIFICATIONS

Dimensions:	89x76x32mm (3.5x3x1.25 in).
Weight:	240 grams (0.53 Pounds)
Power Supply:	18-30VDC; 2.88 Watts.
Power Usage:	120 ma, 1 amp peak.
Protection Class:	IP31.
Humidity:	90% non-condensing.
Vibration:	EN 60068-2-6 1.5mm; 10 to 50Hz; 2 hrs ea axis
Shock:	EN 60068-2-27 30G; 11ms; 3 shocks ea axis.
Operating Temp:	0 to 50 C (32 to 120 F)
Storage Temp:	-20 to 70 C (-4 to 158 F)
Connectors:	8-pin Male M12 RS232. 5-pin Fem. M12 RS485.
Status LEDs:	Power, Bus, Net, Error.
Baud Rates:	9600 (default); 19.2k, 38.4k, 57.6k, 115.2k.

www.ems-rfid.com

datasheet revision 2008-01

AMERICAS
3000 Earhart Ct., Ste 135
Hebron KY 41048
Inside USA Tel. 1-800-849-5358
Outside USA Tel. 1-859-689-7000

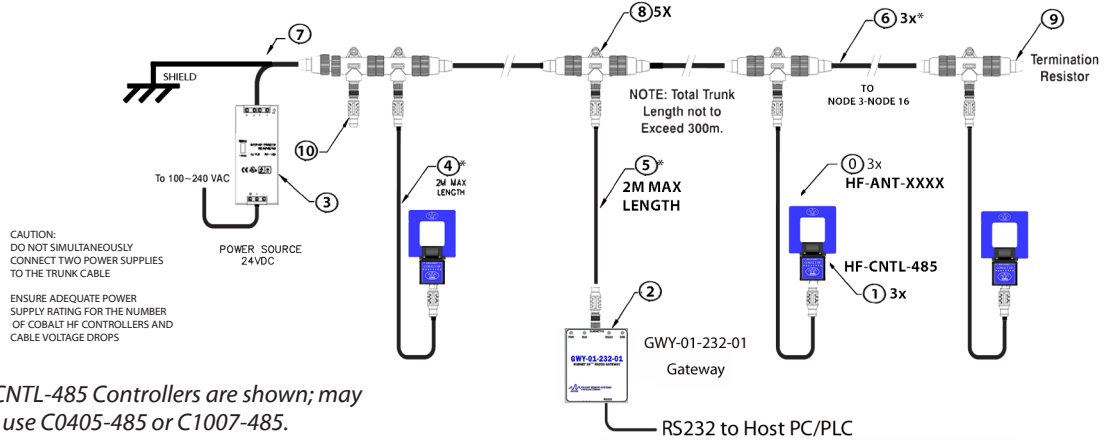
ASIA
Unit 808A, Tower 1,
833 Cheung Sha Wan Road,
Kowloon, Hong Kong, China
Tel. +852 2785 3912

HQ & EMEA
Via S. Vitalino 13, 40012
Lippo di Calderara di Reno,
BO Italy
Tel. +39 051 314 7011

ESCORT MEMORY SYSTEMS BY
DATALOGIC™

GWY-01-232-01

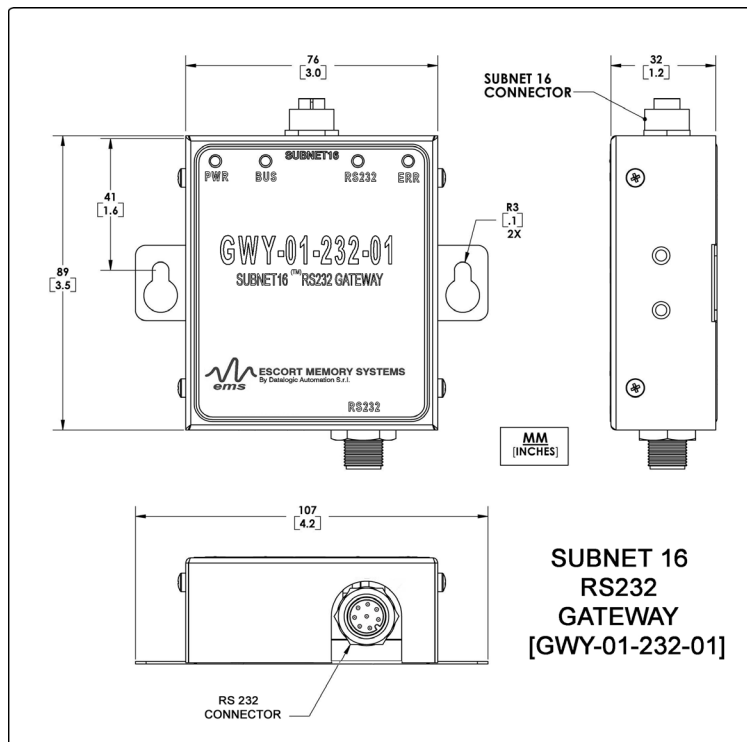
SUBNET16™ NETWORK



ITEM	QTY	DESCRIPTION	EMS PN
0	3	COBALT HF ANTENNAS	HF-ANT-XXXX
1	3	COBALT HF CONTROLLER, -485	HF-CNT-485
2	1	GATEWAY, SUBNET 16	GWY-01-XXX
3	1	POWER SUPPLY, 120W, 24VDC, 5 AMP	00-1168
4	1-16	THINNET DROP CABLE MALE/FEMALE	CBL-1480-XX
5	1	THINNET DROP CABLE MALE/MALE	CBL-1481-XX

ITEM	QTY	DESCRIPTION	EMS PN
6	1-15	THICKNET TRUNK CABLE MALE/FEMALE	CBL-1483-XXX
7	1	THICKNET TRUNK CABLE FEMALE/BARE WIRE	CBL-1495-XX
8	1-18	THICKNET/THINNET DROP T CONN.	CBL-1485
9	1	THICKNET TERMINATION REISISTOR, MALE, 7/8	CBL-1489
10	1	THINNET TERMINATION REISISTOR, MALE, M12	CBL-1490

XX, XXX = cable length in meters.



datasheet revision 2008-01

Product and Company names and logos referenced may be either trademarks or registered trademarks of their respective companies. We reserve the right to make modifications and improvements.