



PM3 series

M12 DECOUT®
cylindrical inductive sensors



M12 DECOUT®
cylindrical

features

- Wide range of models: standard, DECOUT output
- Output: cable, M12 plug cable exit
- Models with 4 wires
- ATEX models, cat. 3, available on request



web contents

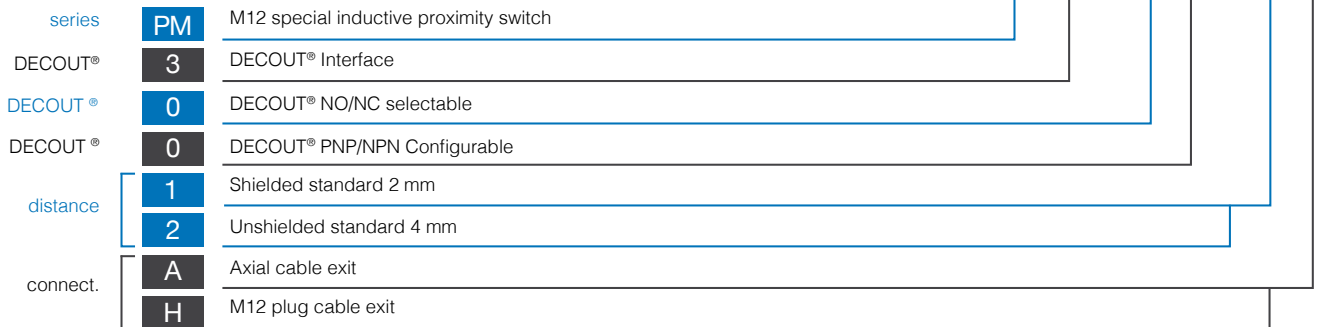


- Application notes
- Photos
- Catalogue / Manuals



code description (*)

PM 3 / 0 0 - 1 A





(*) ATEX models available, contact our Sales Dept. for further information.

available models

DECOUT models

diameter	installation	distance	plug	distance (mm)	NO/NC - PNP/NPN
M12	shielded	standard	cavo	2	PM3/00-1A
			M12		PM3/00-1H
	unshielded		cavo	4	PM3/00-2A
			M12		PM3/00-2H

	PM3/00-1*	PM3/00-2*
		
nominal sensing distance S_n	2 mm	4 mm
operating distance	0...1.6 mm	0...3.2 mm
hysteresis	1...20%	
standard target	12x12 mm FE 360	
repeatability	5% (UB 20-30 V $T_a = 23^\circ\text{C} \pm 5^\circ\text{C}$)	
operating voltage	10...30 V _{cc}	
max ripple content	≤ 10%	
output type	NPN/PNP - NO/NC	
output current	≤ 100 mA	
output voltage drop	≤ 1.2 V @ 100 mA	
no-load supply current	30 mA	
leakage current	10 μA	
switching frequency	1 kHz	
power on delay	100 ms	
ambient temperature range	-25...+70 °C	
temperature drift of S_r	10%	
short-circuit protection	●	
voltage reversal protection	●	
induction protection	●	
shocks and vibrations	IEC/EN60947-5-2	
weight	29 g connector / 66 g cable	
LEDs	output state	
protection degree	IP 67 ⁽¹⁾ (EN60529)	
EMC	in conformity with the EMC Directive according to IEC 60947-5-2	
housing material	nickel-plated brass (Stainless steel for "W" version)	
active head material	PBT	
connection	cable 2 m PVC - plug M12	

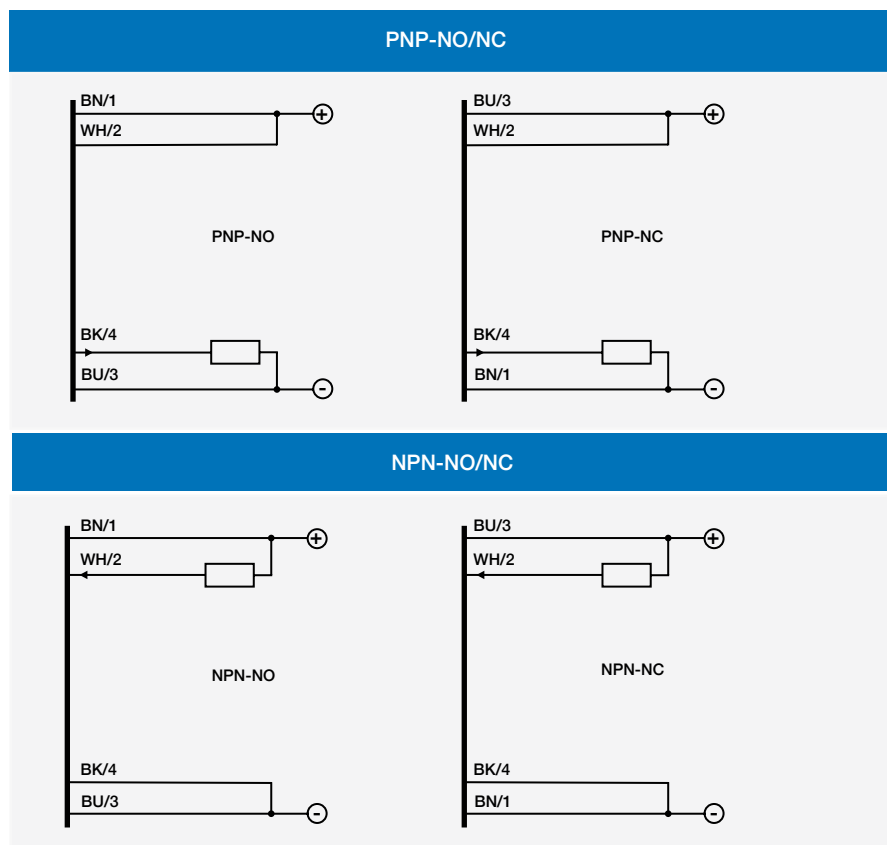
⁽¹⁾ Protection guaranteed only with plug cable well mounted

correction factors

code	steel FE 360	copper	alluminium	brass	stainless steel
PM3/00-1*	1	0.3	0.35	0.5	0.8
PM3/00-2*		0.52	0.57	0.62	0.87

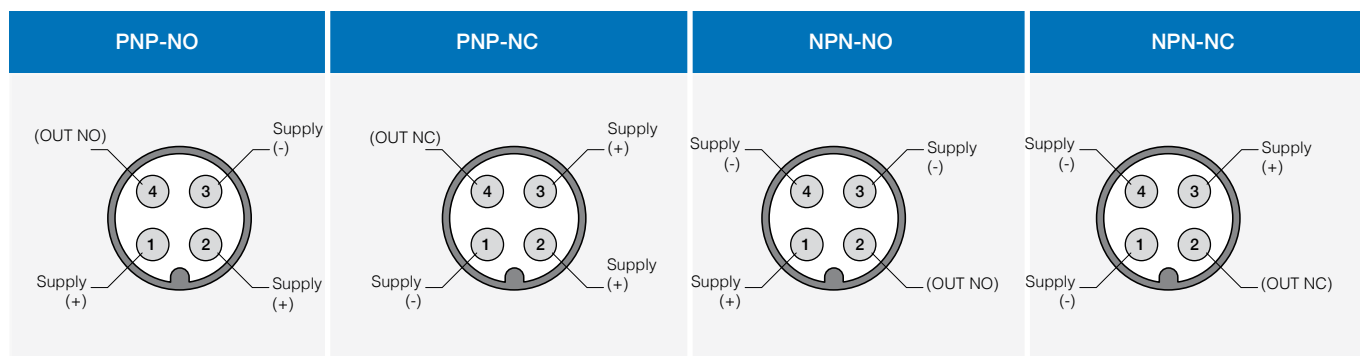
electrical diagrams of connections

PM3 DECOUT® versions

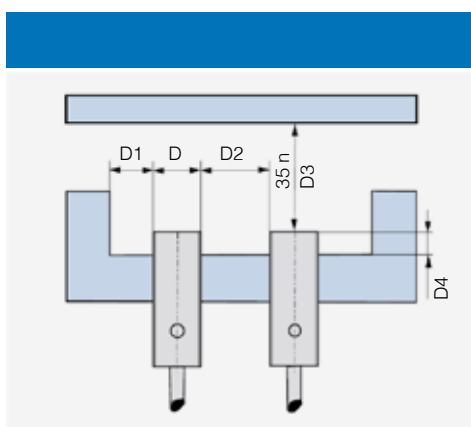


plug

PM3 DECOUT® versions



installation



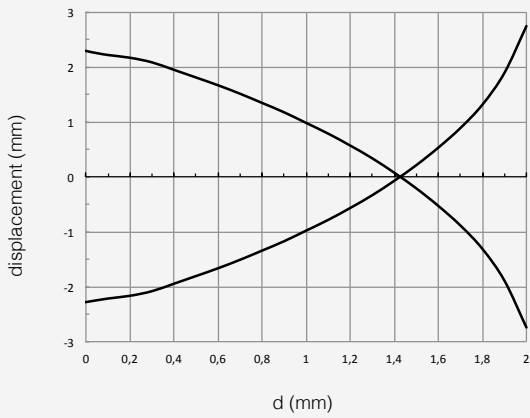
code	D4	D1	D2	D3
PM3/00-1*	≥ 0 mm	≥ 6 mm	≥ 12 mm	≥ 6 mm
PM3/00-2*	≥ 1.2 mm	≥ 12 mm	≥ 24 mm	≥ 12 mm



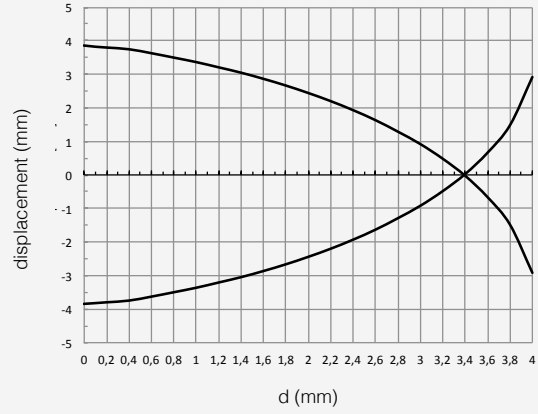
response diagram

M12 DECOU[®]
cylindrical

PM3/**-1*

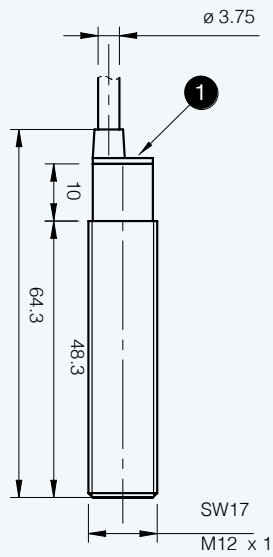


PM3/**-2*

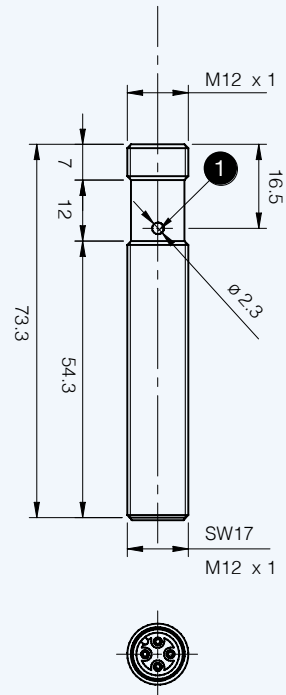


dimensions (mm)

PM3/00-1A



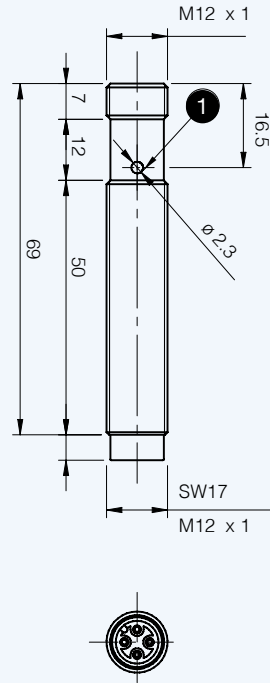
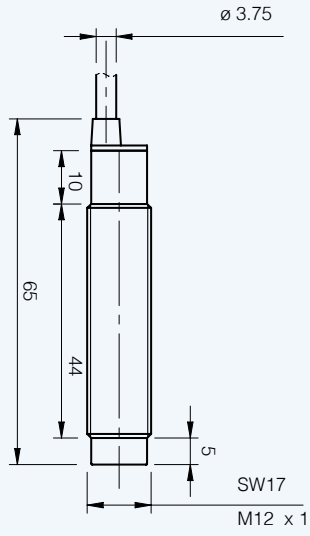
PM3/00-*H



1 LED

PM3/00-2A

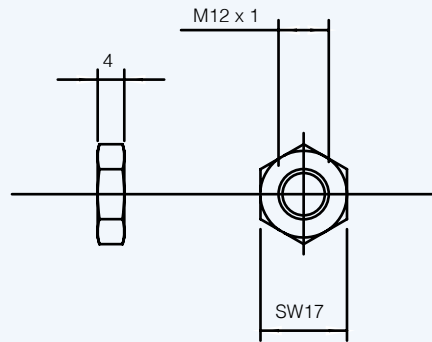
PM3/00-2H



1 LED

dimensions (mm)

accessories included



metallic
nut (2 x)



M12 DECOUT®
cylindrical