



CR0 series

Retroreflective Polarized Area sensors



Retroreflective
Polarized Area Sensors

features

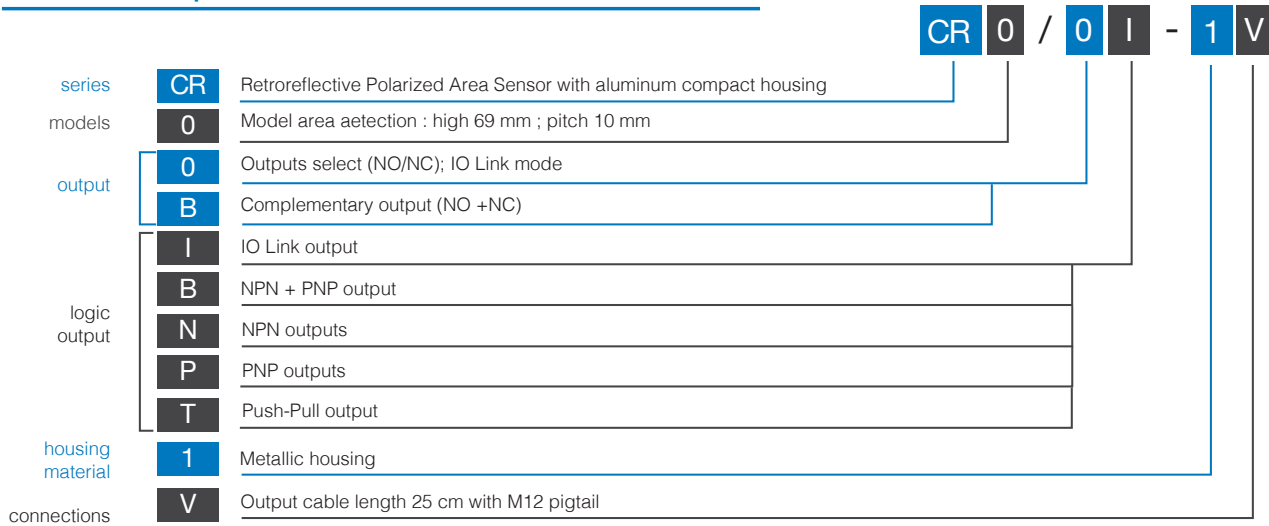
- Area height controlled 69 mm
- Maximum operative distance up to 4.5 m
- Minimum object detection diam. 6mm
- Two teach-in types: fine and standard
- Optical pitch 10mm
- Protection degree IP67
- Blanking function

web contents

- Application notes
- Photos
- Catalogue / Manuals




code description



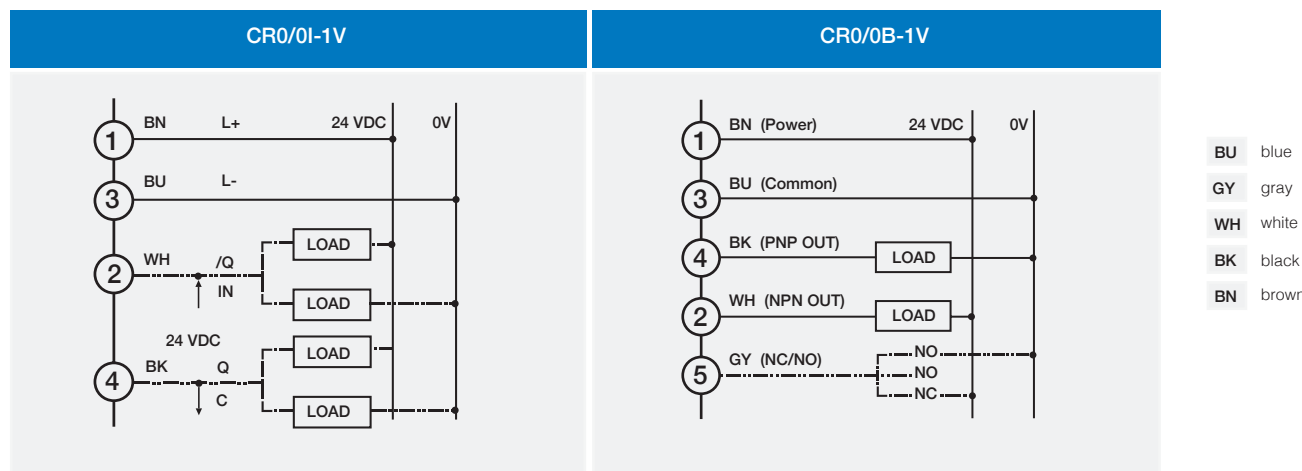
available models

pitch (mm)	detection height (mm)	working range (m)	response time (ms)	plug	poles	logic	output	models
10	69	0.2...4,5	1.2	M12	4	IO Link	IO Link	CR0/0I-1V
					5	PNP+NPN	NC/NO	CR0/0B-1V
						Push Pull	CR0/0T-1V	
					4	PNP	NO+NC	CR0/0P-1V
						NPN		CR0/0N-1V

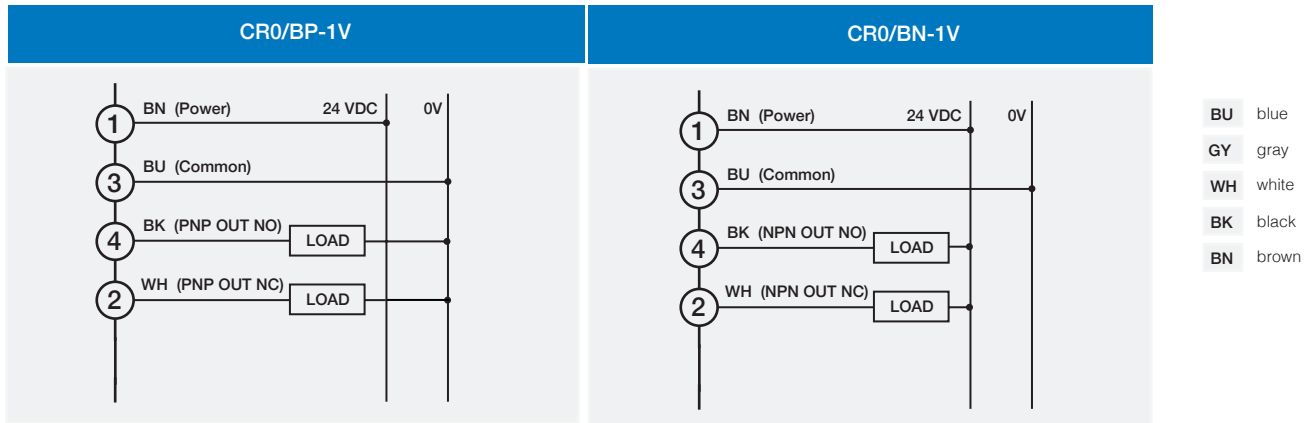
CR0	
	
nominal sensing distance (Sn)	0.2...4.5 m (RL106G - ExG 2)
emission	red (617nm)
operating voltage	16...30 Vdc
no load supply current	≤ 10%
no load supply current	100mA
load current	100mA
leakage current	≤ 100 µA (Vdc max)
output voltage drop	3 V max (100mA)
adjustment	Teach-in: fine < 3 sec; > 6 sec
output type	PNP; NPN; Push-pull; (NO+NC) compl. output (NO+NC)
switching frequency	600 Hz
time delay before available	300 ms
minimum object detection	3...6mm @2m RL106G ⁽¹⁾ 3...10mm@4,5m RL106G ⁽¹⁾
power supply protections	polarity reversal, transient
output protection	short circuit (autoreset)
interference external light	5000 lux (fluorescent lamp); 50000 lux (sunlight)
operative temperature range	-10°C....+55°C (without freeze)
temperature drift	10% Sr
LED indicators	green: power supply red: dark/light status
protection degree	IP67 (EN60529)
housing material	aluminium
optical material	PMMA

⁽¹⁾ 106G reflector 20 x 80mm (concealment)

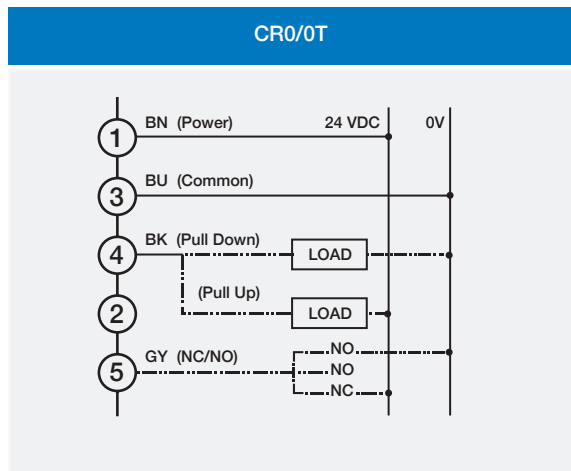
electric diagrams of the connections



electric diagrams of the connections



- BU** blue
- GY** gray
- WH** white
- BK** black
- BN** brown

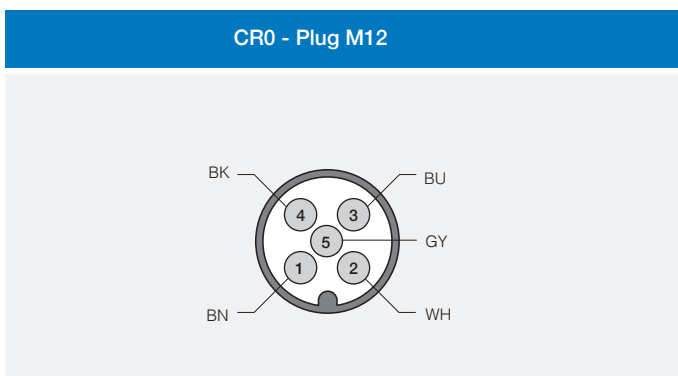


response diagrams

Distance from sensor to reflector

Reflector	Min (m)	Max (m)
RL 106G	0,2	5,5
RL 135	0,3	3,5
RL100D (150 x 40mm)	0,3	2,5

plugs

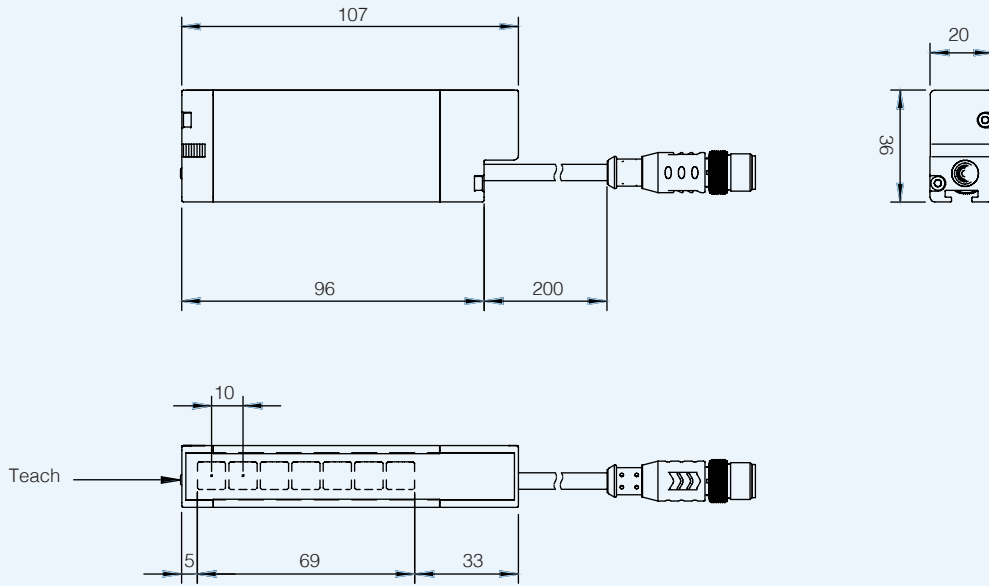




dimensions (mm)

Retroreflective
Polarized Area Sensors

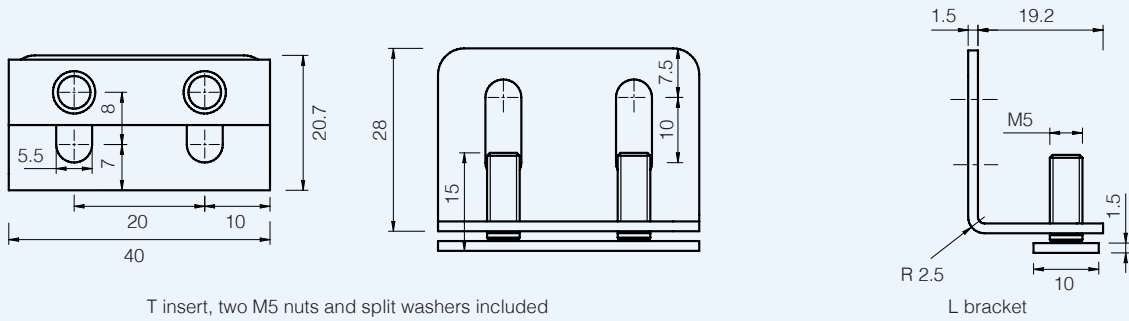
CR0/**_**



dimensions (mm)

accessories included with all models

accessories fixing kit ST151



RL 106G

product	dimensions (mm)
